



T-LED s.r.o.
Žitná 23/610, 110 00 Praha 1
Česká republika
IČ: 28916913 DIČ: CZ28916913
tel: 223 000 247, GSM: 734 543 813
www.t-led.cz info@t-led.cz

Katalogový list spínaný zdroj pro LED

Model TLPZ-600 12-48V 600W

TLPZ-600				
Output	DC voltage	12V	24V	48V
	Voltage tolerance	± 1%	± 1%	± 1%
	Rated current	50A	25A	12.5A
	Current range	0 ~ 50A	0 ~ 25A	0 ~ 12.5A
	Rated power	600W	600W	600W
	Ripple&noise	150mVp-p	180mVp-p	200mVp-p
	DC voltage ADJ. range	-9% ~ +10%	± 10%	± 10%
Setup, rise, hold up time		200ms,30ms,36ms/230VAC.		
Input	Voltage range	180 ~ 264VAC 47 ~ 63Hz, 255 ~ 373VDC		
	AC current	12A/115VAC 6A/230VAC		
	Efficiency	82%	84%	86%
	Inrush current	Cold start 25A/115V 50A/230VAC		
	leakage current	< 3.5mA/240VAC		
Protection	Overload	Rated output power 105% ~ 135% Start overload protection		
		Protection type: cutoff output, recovery after restart power		
	Over voltage	15 ~ 16V	30 ~ 31V	54 ~ 55V
		Protection type: cutoff output, recovery after restart power		
Over temperature	Rectifier temperature ≥ 85°C ± 5% Start over temp protection			
	Protection mode: cutoff output, auto-recovery after temperature become normal			
Environment	Working temp, humidity	-10°C ~ +60°C; 20% ~ 90%RH (Please refer to "derating curve")		
	Storage temp, humidity	-20°C ~ +85°C; 10% ~ 95%RH Non-condensing		
	Withstand vibration	10 ~ 500Hz, 2G 10min./1Cycle, Period for 60min, Each axes		
Safety	Withstand voltage	I/P-O/P: 1.5KVAC I/P-FG: 1.5KVAC O/P-FG: 0.5KVAC		
	Isolation resistance	I/P-O/P: I/P-FG, O/P-FG: 100M Ohms/500VDC		
Fit standard	Safety standard	Fit UL1012		
	EMC Standard	Fit EN55022, CLASSA		
Others	Weight	1.5kg 238*124*65mm (L*W*H)		
	Packing	1.5kg/12pcs/19kg		

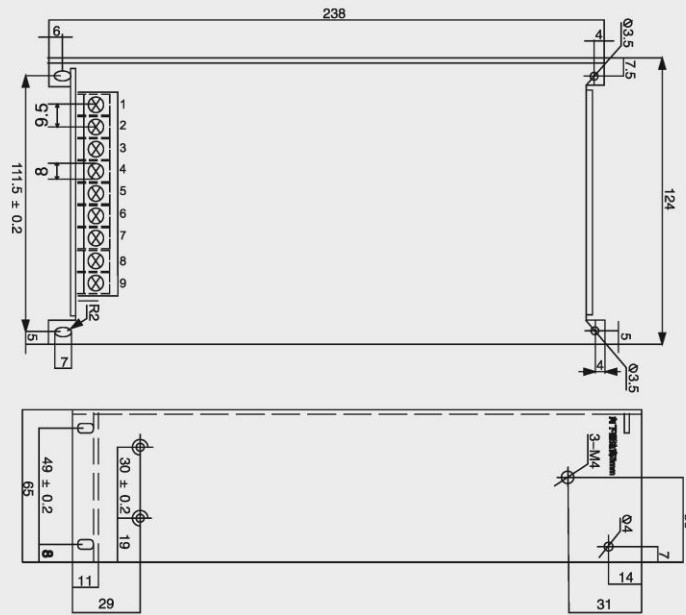
Note: 1. All parameters NOT specially mentioned are measured at 230VAC input, rated load and 25°C of ambient temperature.

2. Ripple & noise are measured at 20MHz of bandwidth by using a 12" twisted pair-wire terminated with a 0.1uf & 47uf parallel capacitor.

3. Tolerance : includes set up tolerance, line regulation and load regulation.

Mechanical specification

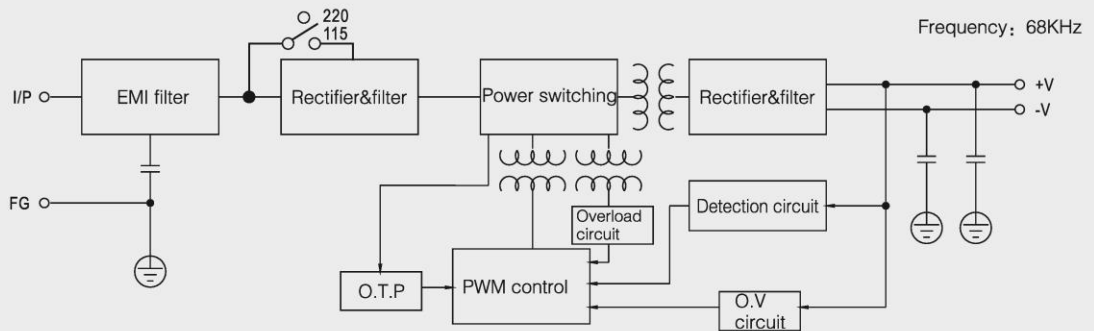
Unit:mm



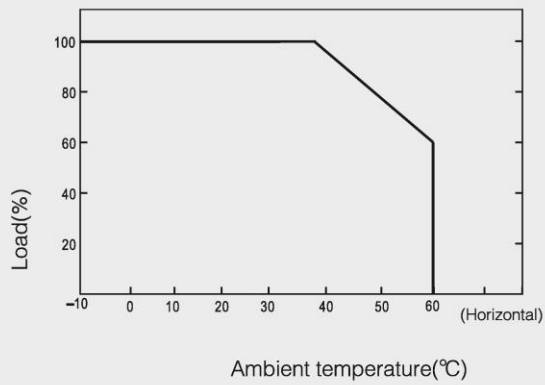
Terminal Pin No.Assignment

Pin No.	Assignment	Pin No.	Assignment
1	AC/L	4-6	DC OUTPUT -V
2	AC/N	7-9	DC OUTPUT +V
3	FG \perp		

Block diagram



Derating curve



Static characteristic

